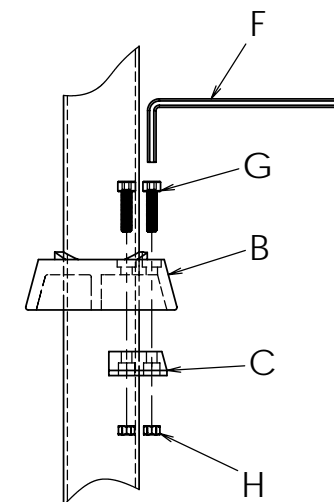
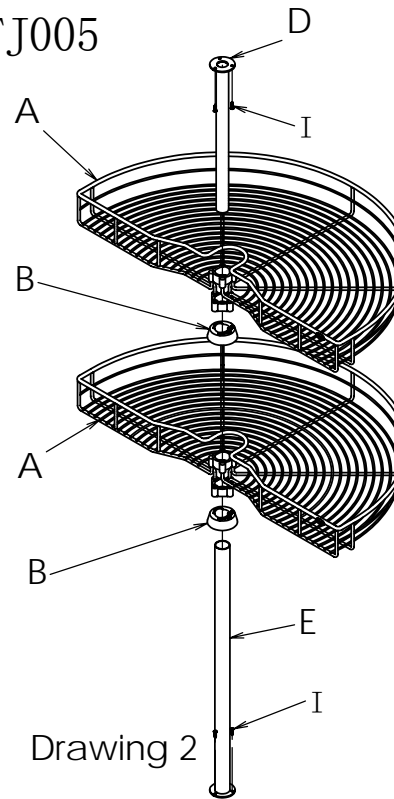
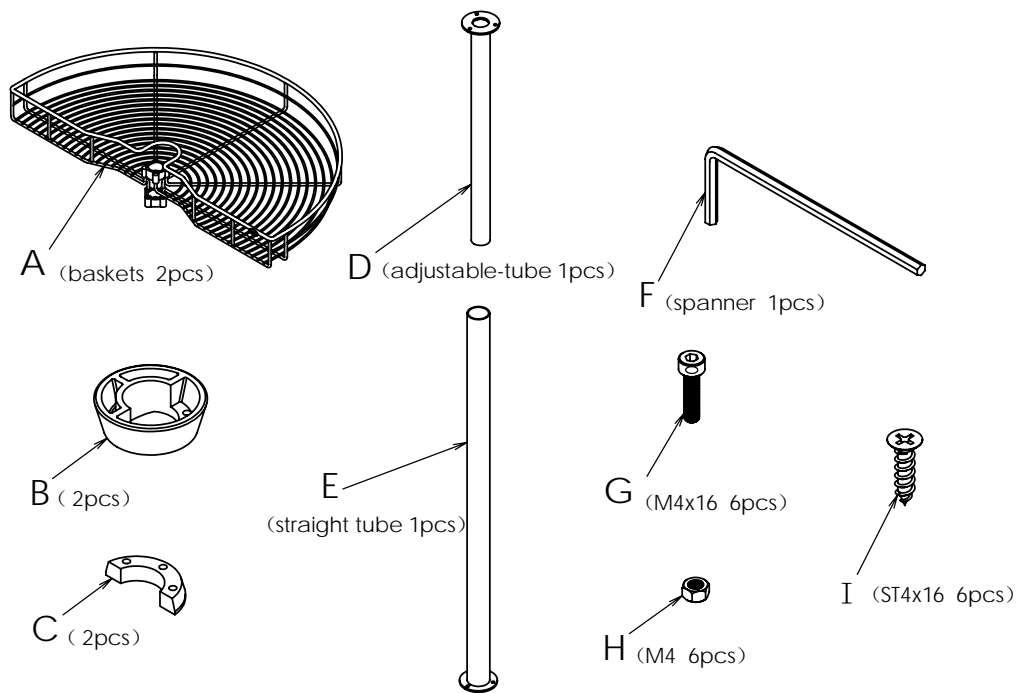
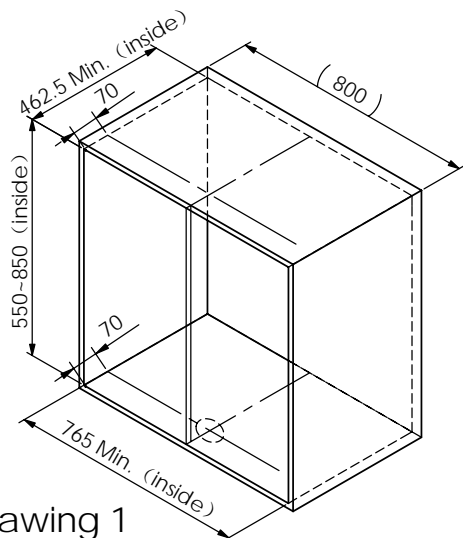


Fixing manual for PTJ005

1、List of parts:



2、According the product size (ϕ 740x550-850) to choose the suitable cabinet :



3、Fixing step:

- (1)、According the picture size to confirm the location of the straight tube then draw the central line on the bottom board and top board.As drawing 1.
- (2)、According the sequence to assemble the E、B、A、B、A、D. As drawing 2.
- (3)、Use ST4x16 (I) 3pcs fix the straight tube (E) on the bottom board.In the same way use ST4x16 (I) 3pcs fix the adjustable-tube (D) on the top board.As drawing 3.
- (4)、Adjust the two-layers (A) to the suitable height, according the drawing 4 to fix,prevent the baskets fall down and which show the fixing is finished.

